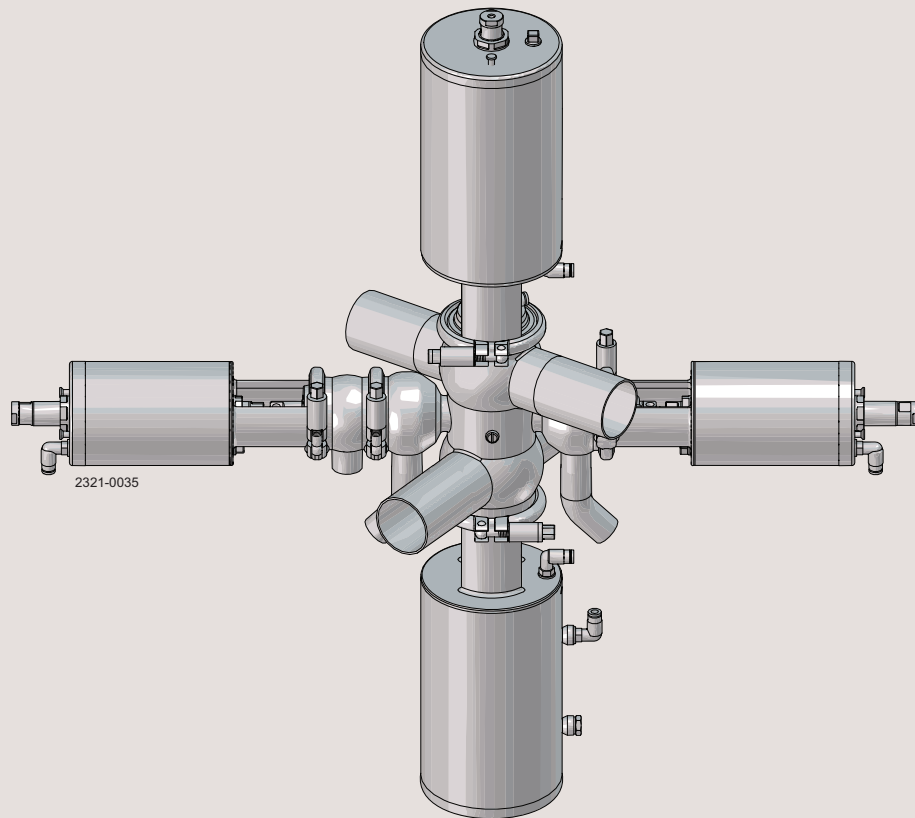




Spare Parts

Aseptic Mixproof Valve



1000001526-EN2 2019-10

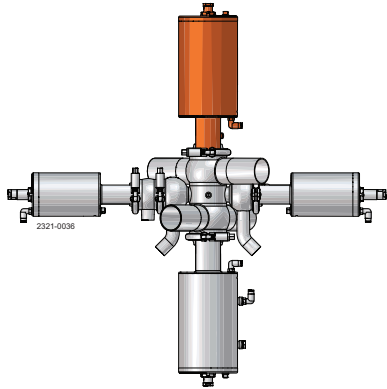
Original manual

The information herein is correct at the time of issue but may be subject to change without prior notice

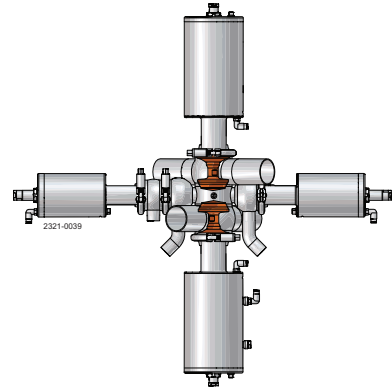
1. Valve overview	4
2. Actuators, primary valves (no seat lift)	6
3. Actuators, primary valves (with seat lift)	8
4. Actuators, secondary valves	10
5. Plugs, primary valves	12
6. Plugs, secondary valves	14
7. Clamp, bonnet and body, primary valves	16
8. Clamp, bonnet and body, secondary valves	18

Exact specifications depends on chosen version.

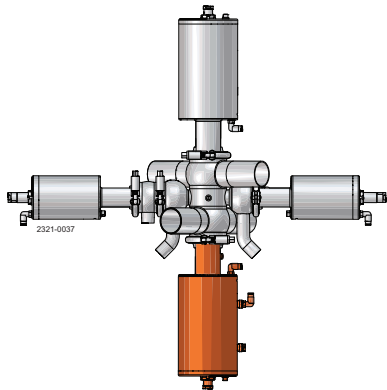
Actuator, primary valves (no seat lift)



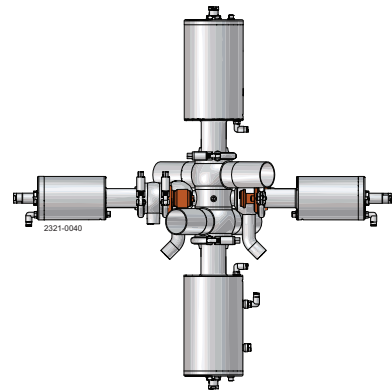
Plugs, primary valves



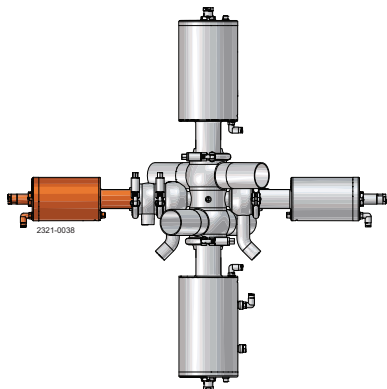
Actuator, primary valves (with seat lift)



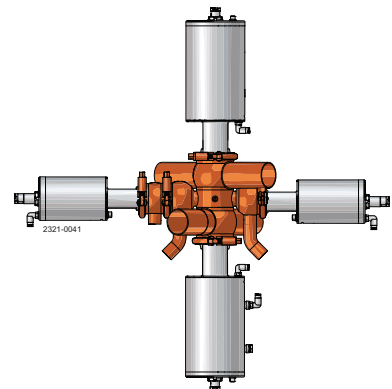
Plugs, secondary valves

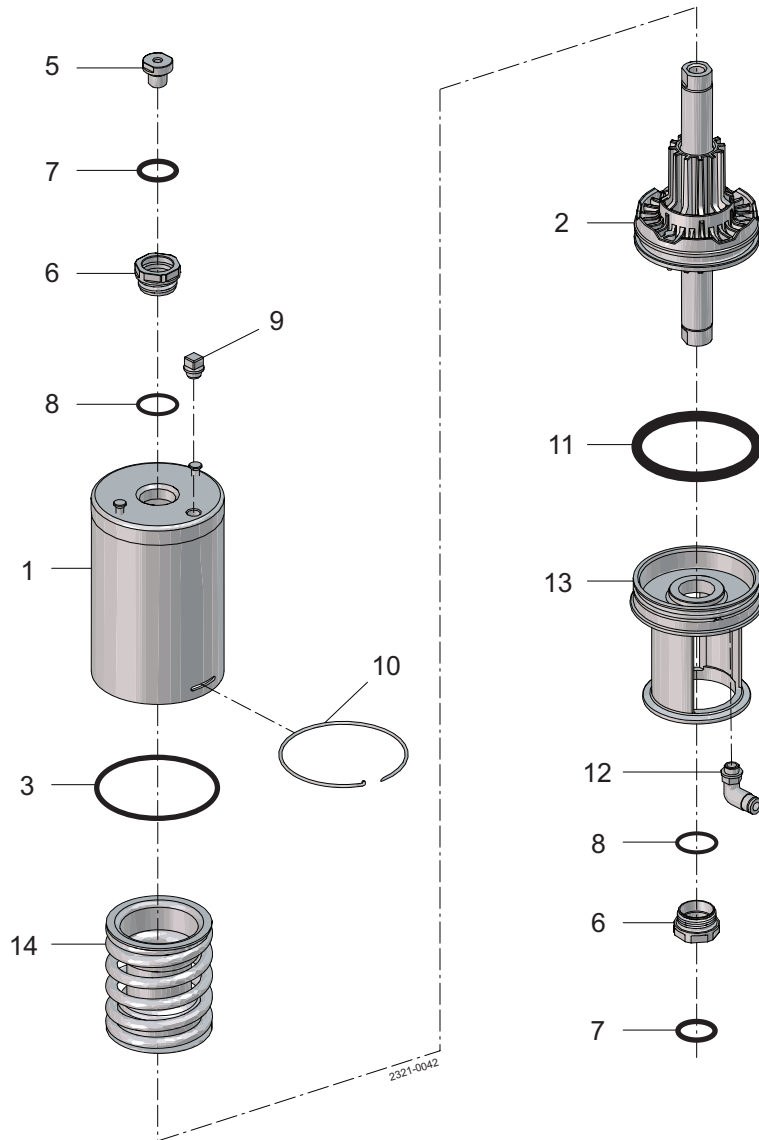
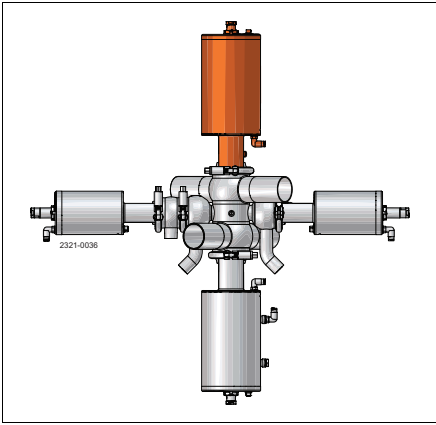


Actuator, secondary valves



Clamps, bonnets and bodies





Actuators, primary valves (no seat lift)

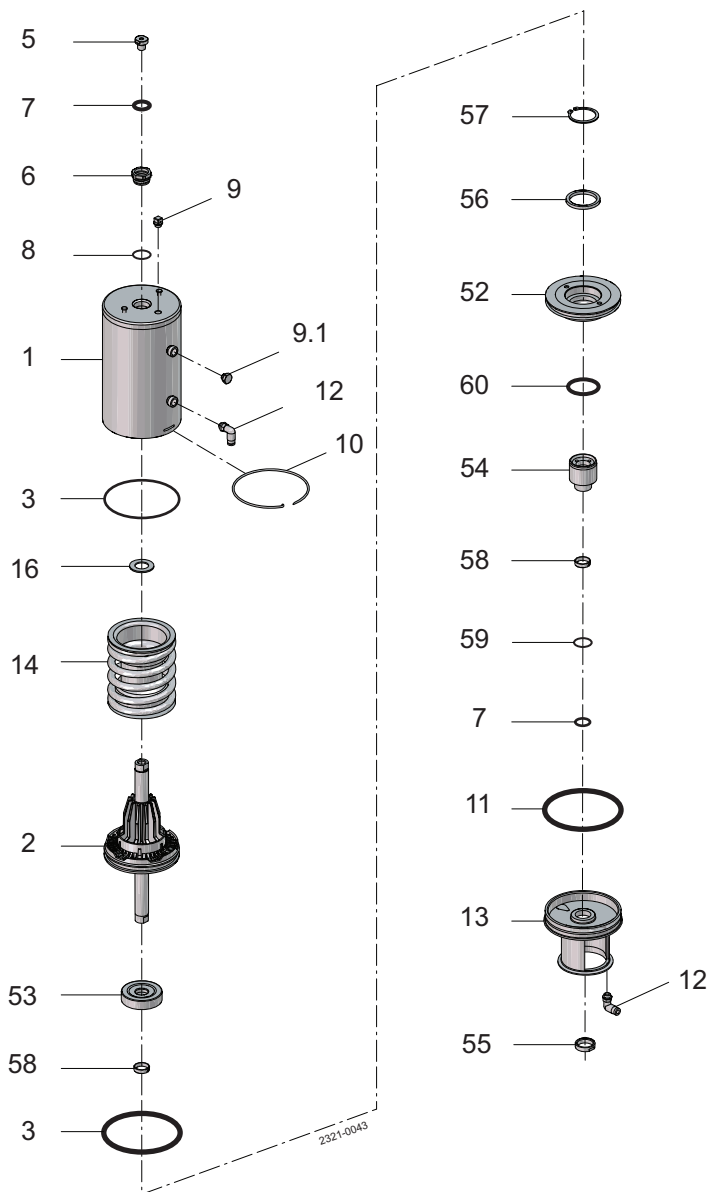
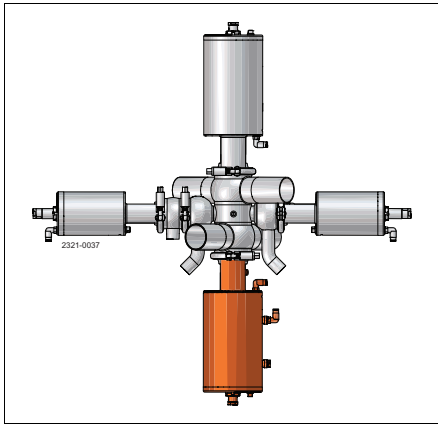
Pos	Qty	Denomination	51 mm	63.5 mm	76 mm
	1	Actuator, complete (NC)	9613185383	9613185384	9613185385
	1	Actuator, complete, US version (NC)	9613185388	9613185389	9613185390
1	1	Cylinder	9613142512	9613142512	9613142513
2	1	Piston	9613132301	9613132301	9613132401
3	<input type="checkbox"/>	O-ring			
5	1	Adapter	9615374701	9615374701	9615374701
6	<input type="checkbox"/>	Bushing			
7	<input type="checkbox"/>	O-ring			
8	<input type="checkbox"/>	O-ring			
9	1	Plug, air vent	9613414101	9613414101	9613414101
10	1	Lock wire	9613143202	9613143202	9613143203
11	<input type="checkbox"/>	O-ring			
12	1-2	Air fitting, (2 pcs. when support air is established)	9611991988	9611991988	9611991988
	1-2	Air fitting, US version (2 pcs. when support air is established) ...	9611994682	9611994682	9611994682
13	1	Yoke	9613154402	9613154502	9613154603
14	1	Spring assembly	9613132502	9613132502	9613132503

NOTE: Above quantities are per actuator.

		51 mm	63.5 mm	76 mm
<input type="checkbox"/>	Service kit for one actuator	9611926498	9611926498	9611926499

Parts marked with are included in the service kits (actuator).
 Recommended spare parts: Service kits.

900-718



Actuators, primary valves (with seat lift)

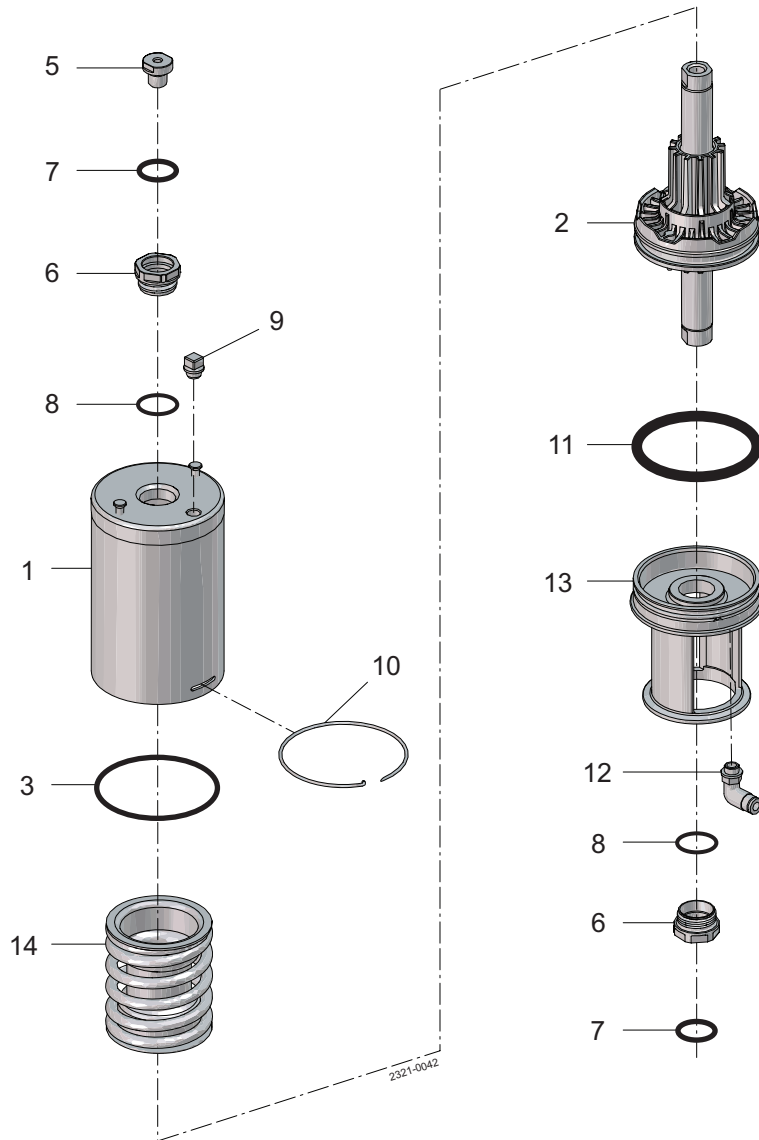
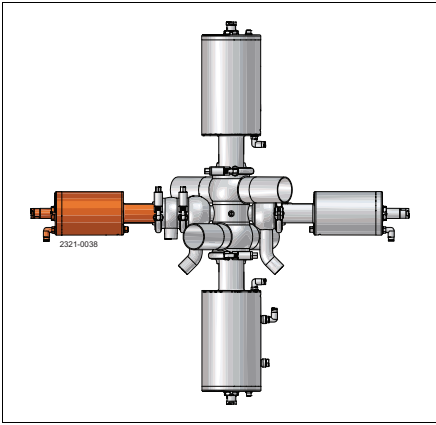
Pos	Qty	Denomination	51 mm	63.5 mm	76 mm
	1	Actuator, complete (NC) with seat lift	9613192101	9613192102	9613192103
	1	Actuator, complete (NC) with seat lift, US version	9613192105	9613192106	9613192107
1	1	Cylinder	9613167713	9613167714	9613167715
2	1	Piston	9613132304	9613132304	9613132405
3	□	2 O-ring			
5	1	Adapter, steel	9615374701	9615374701	9615374701
6	□	1 Bushing			
7	□	2 O-ring			
8	□	1 O-ring			
9	1	Plug, air vent.	9613414101	9613414101	9613414101
9.1	1	Plug	9611993709	9611993709	9611993709
10	1	Lock wire	9613143202	9613143202	9613143203
11	□	1 O-ring			
12	2-3	Air fitting, (3 pcs. when support air is established)	9611991988	9611991988	9611991988
	2-3	Air fitting, US version, (3 pcs. when support air is established) ..	9611994682	9611994682	9611994282
13	1	Yoke	9613154402	9613154502	9613154603
14	1	Spring assembly	9613132502	9613132502	9613132503
16	□	1 Support disc			
52	1	Piston	9613167801	9613167801	9613167901
53	1	Thrust plate	9613168201	9613168201	9613168201
54	1	Guide	9613168001	9613168001	9613168101
55	1	Nut	9613168301	9613168301	9613168301
56	3	Spacer	9613168402		
	1	Spacer		9613168401	
	1	Spacer		9613168402	
	1	Spacer			9613168405
57	1	Lock ring	51997509	51997509	51997509
58	2	Guide ring	9613008424	9613008424	9613008424
59	□	1 O-ring			
60	□	1 O-ring			

NOTE: Above quantities are per actuator.

		51 mm	63.5 mm	76 mm
□	Service kits for one seat lift actuator	9611926738	9611926738	9611926739

Parts marked with □ are included in the service kits (actuator).

Recommended spare parts: Service kits.



Actuators, secondary valves

Pos	Qty	Denomination	25 mm
Secondary valves - actuator (25 mm)			
	1	Actuator, complete (NC)	9613185382
	1	Actuator, complete (NO)	9613185381
	1	Actuator, complete (NC), US version	9613185387
	1	Actuator, complete (NO), US version	9613185386
1	1	Cylinder	9613142511
2	1	Piston	9613132201
3	□	O-ring	
5	1	Adapter	9615374701
6	□	Bushing	
7	□	O-ring	
8	□	O-ring	
9	1	Plug	9613414101
10	1	Lock wire	9613143201
11	□	O-ring	
12	1-2	Air fitting, (2 pcs. when support air is established)	9611991988
	1-2	Air fitting, US version, (2 pcs. when support air is established) ..	9611994682
13	1	Yoke	9613154301
14	1	Spring assembly	9613132501

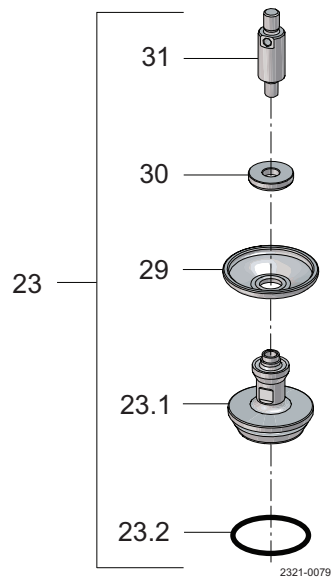
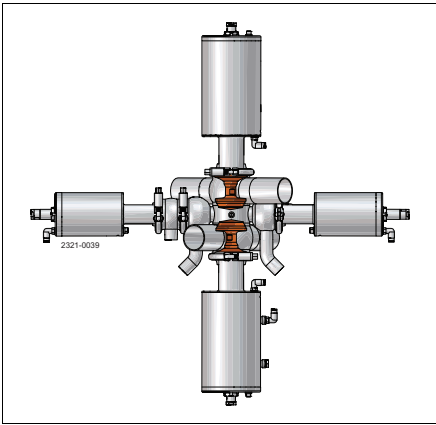
NOTE: Above quantities are per actuator.

			25 mm
□		Service kits for one actuator NC/NO	9611926497

Parts marked with □ are included in the service kits (actuator).

Recommended spare parts: service kits.

900-718



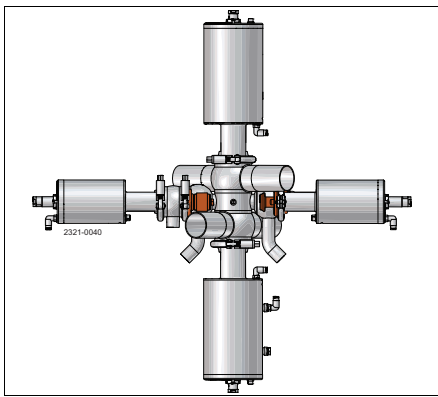
Plugs, primary valves

Pos	Qty	Denomination	51 mm	63.5 mm	76 mm
Aseptic plugs					
23	1	Plug, complete, EPDM (standard)	9613192201	9613192203	9613192205
	1	Plug, complete, HNBR	9613192202	9613192204	9613192206
23.1	1	Plug	9613190201	9613190203	9613190205
23.2▲	1	Plug seal, EPDM (standard)			
▲	1	Plug seal, HNBR			
	1	Plug seal, set (10 pcs.) EPDM	9614059407	9614059410	9614059413
	1	Plug seal, set (10 pcs.) HNBR	9614059408	9614059411	9614059414
29 ▲	1	Diaphragm			
	1	Diaphragm, set (10 pcs.)	9614059438	9614059439	9614059440
30	1	Disc for diaphragm	9613144101	9613144201	9613144301
31	1	Upper spindle	9613143302	9613143302	9613143301

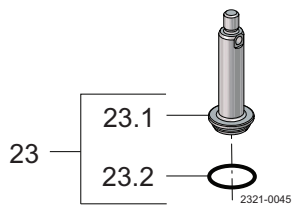
NOTE: Above quantities are per primary actuator.

			51 mm	63.5 mm	76 mm
Service kit, product wetted parts					
▲		Service kit for one plug, EPDM	9611926545	9611926546	9611926547
▲		Service kit for one plug, HNBR	9611926551	9611926552	9611926553

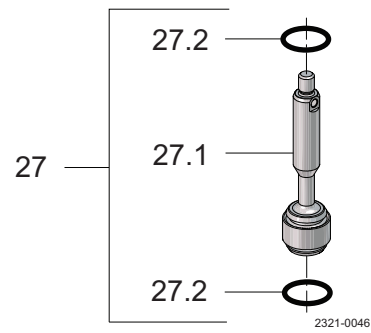
900-718



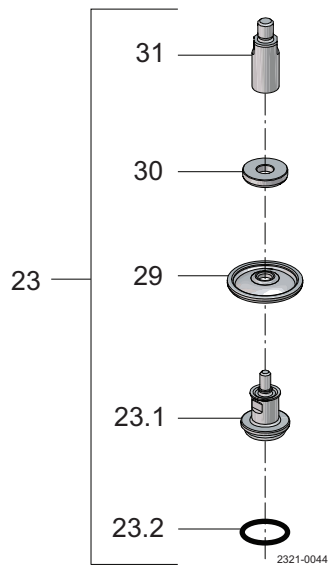
Hygienic plugs - shut-off



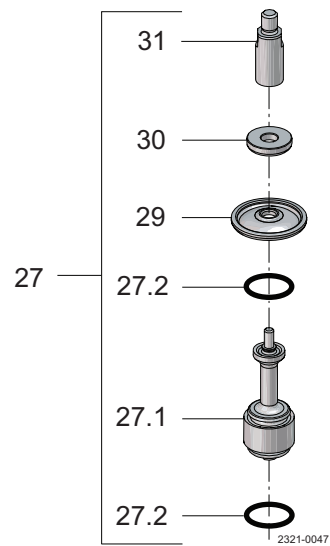
Hygienic plugs - change-over



Aseptic plugs - shut-off



Aseptic plugs - change-over



Plugs, secondary valves

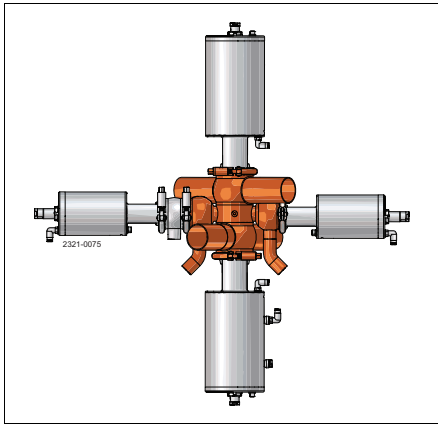
Pos	Qty	Denomination	Hygienic plugs shut-off	Hygienic plugs change-over	Aseptic plugs shut-off	Aseptic plugs change-over
Secondary valve plugs (25 mm)						
23	1	Plug, complete, shut-off, EPDM (standard)	9613192301		9613192401	
	1	Plug, complete, shut-off, HNBR	9613192302		9613192402	
23.1	1	Plug, shut-off	9613149603		9613143503	
23.2▲	1	Plug seal, EPDM (standard)				
▲	1	Plug seal, HNBR				
	1	Plug seal, set (10 pcs.), EPDM	9614059401		9614059401	
	1	Plug seal, set (10 pcs.), HNBR	9614059402		9614059402	
27	1	Plug, complete, change-over, EPDM (standard)		9613192303		9613192403
	1	Plug, complete, change-over, HNBR		9613192304		9613192404
27.1	1	Plug, change-over		9613149703		9613143603
27.2▲	2	Plug seal, EPDM (standard)				
▲	2	Plug seal, HNBR				
	1	Plug seal, set (10 pcs.), EPDM		9614059401		9614059401
	1	Plug seal, set (10 pcs.), HNBR		9614059402		9614059402
29 ▲	1	Diaphragm			9614059437	9614059437
	1	Diaphragm, set (10 pcs.)			9613144001	9613144001
30	1	Disc for diaphragm			9613144601	9613144601
31	1	Upper spindle				

NOTE: Above quantities are per secondary actuator.

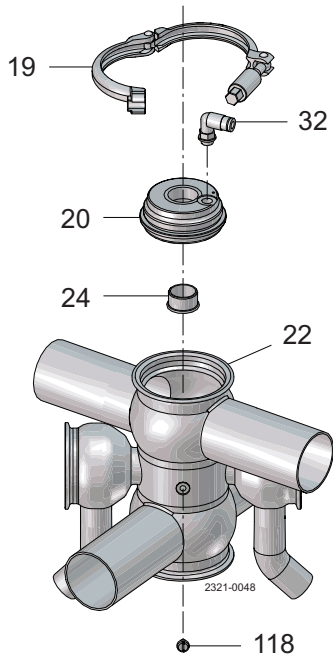
		Hygienic plugs shut-off	Hygienic plugs change-over	Aseptic plugs shut-off	Aseptic plugs change-over
▲	Service kit for one plug, EPDM	9611926501	9611926579	9611926543	9611926615
▲	Service kit for one plug, HNBR	9611926507	9611926585	9611926549	9611926621

Parts marked with ▲ are included in the service kits (product wetted parts).

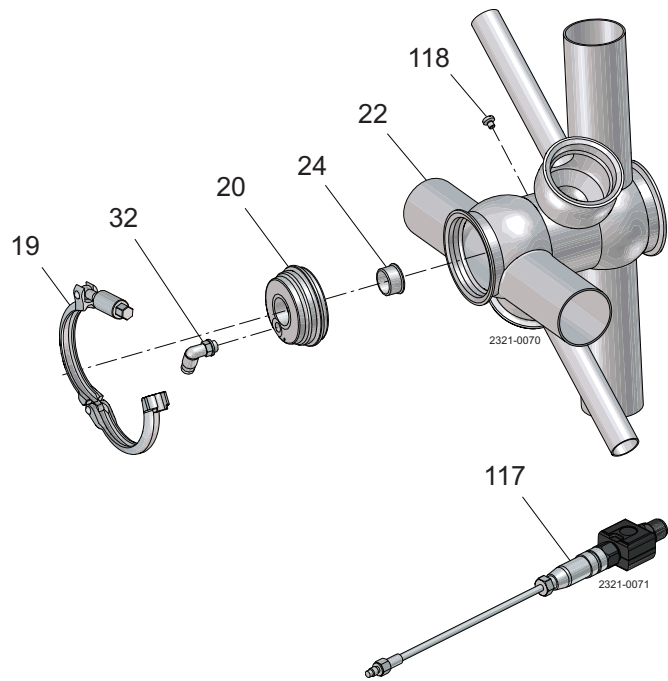
Recommended spare parts: Service kits.



Vertical mount



Horizontal mount

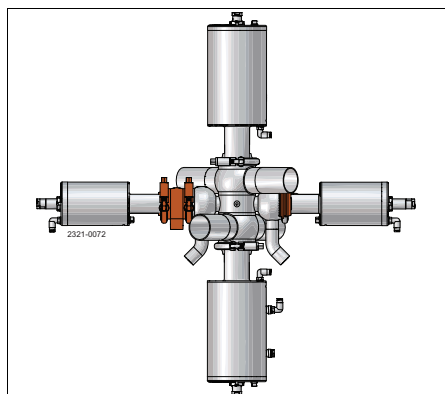


Clamp, bonnet and body, primary valves

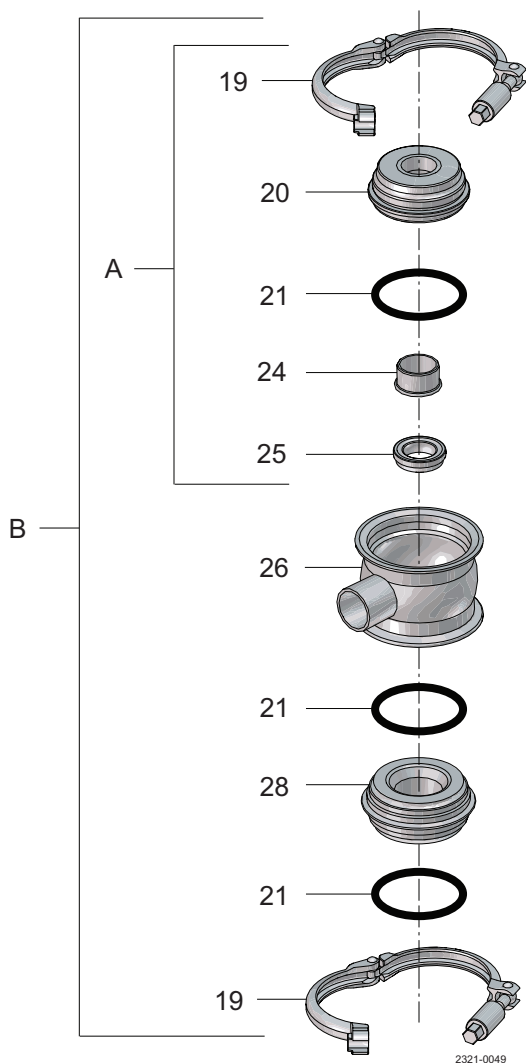
Pos	Qty	Denomination	51 mm	63.5 mm	76 mm
Clamp					
19	2	Clamp	9612939304	9612939305	9612939306
Bonnet					
20	2	Bonnet	9613142801	9613142901	9613143001
24 ▲	2	Bushing	9613125002	9613125002	9613125002
32	2	Air fitting	9611991988	9611991988	9611991988
	2	Air fitting, US version	9611994682	9611994682	9611994682
Valve body					
22	1	Valve body, (vertical mounting)	9613190301	9613190401	9613190501
	1	Valve body, (horizontal mounting)	9613191101	9613191201	9613191301
117	(1)	Temperature sensor + transmitter (accessories)	9613191501	9613191501	9613191501
	(1)	Temperature sensor (accessories)	9613191601	9613191601	9613191601
	(1)	Transmitter (accessories)	9613191701	9613191701	9613191701
	(1)	Temperature sensor + transmitter w. individual certificates (accessories)	9613191801	9613191801	9613191801
	(1)	Temperature sensor w. individual certificate (accessories)	9613191901	9613191901	9613191901
	(1)	Transmitter w. individual certificate (accessories)	9613192001	9613192001	9613192001
118	1	Screw	9611996096	9611996096	9611996096

Parts marked with ▲ are included in the service kits (product wetted parts)

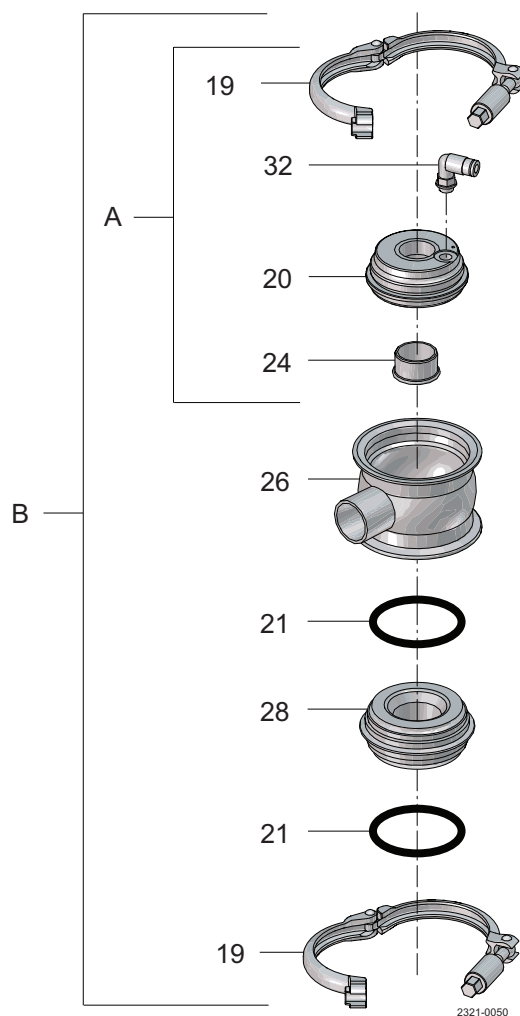
900-718



Hygienic



Aseptic



A = Shut-off, B = Change-over

Clamp, bonnet and body, secondary valves

Pos	Qty	Denomination	Hygienic plugs shut-off	Hygienic plugs change-over	Aseptic plugs shut-off	Aseptic plugs change-over
Clamp						
19	2	Clamp	9612939303		9612939303	
	3	Clamp, (when secondary valves are one change-over + one shut-off)		9612939303		9612939303
Bonnet						
20	2	Bonnet	9613127102	9613127102		
	2	Bonnet, aseptic			9613142701	9613142701
21	2	O-ring, EPDM (standard)				
	2	O-ring, HNBR				
	4	O-ring, EPDM (standard)*				
	4	O-ring, HNBR*				
	1	O-ring, set (10 pcs.) EPDM (standard)	9614059422	9614059422		9614059422
	1	O-ring, set (10 pcs.) HNBR	9614059423	9614059423		9614059423
24	2	Bushing	9613125002	9613125002	9613125002	9613125002
25	2	Lip seal, EPDM (standard)**				
	2	Lip seal, HNBR				
	1	Lip seal, set (10 pcs.) EPDM	9614059419	9614059419		
	1	Lip seal, set (10 pcs.) HNBR*	9614059420	9614059420		
32	2	Air fitting			9611994877	9611994877
Valve body						
26	1	Valve body, upper, 1 port		9613139301		9613139301
Seat						
28	1	Seat		9613127501		9613127501

Parts marked with are included in the service kits (product wetted parts)

* = applies to hygienic, change-over valve

** = applies to hygienic.

900-718

How to contact Alfa Laval

Contact details for all countries are continually updated on our website.

Please visit www.alfalaval.com to access the information directly.

© Alfa Laval Corporate AB

This document and its contents is owned by Alfa Laval Corporate AB and protected by laws governing intellectual property and thereto related rights. It is the responsibility of the user of this document to comply with all applicable intellectual property laws. Without limiting any rights related to this document, no part of this document may be copied, reproduced or transmitted in any form or by any means (electronic, mechanical, photocopying, recording, or otherwise), or for any purpose, without the expressed permission of Alfa Laval Corporate AB. Alfa Laval Corporate AB will enforce its rights related to this document to the fullest extent of the law, including the seeking of criminal prosecution.